

brinno
brilliant innovation

PEEPHOLE VIEWER

The Digital Door Viewer!

PHV 133012/PHV 133014

User Manual



Thank you for purchasing Brinno PeepHole Viewer!

Brinno PeepHole Viewer uses an LCD panel to display who is at your door. It turns a hard to see door viewer image into a big and bright image.

PHV1330 features

- 3" LCD panel to show visitor's image
- Use MicroSD card to store images
- 2 AA batteries for 1300 "peeps"
- Brightness Enhancement
- With Motion Sensor* can record visitor's image automatically when visitor comes close to your front door
- With Knocking Sensor* can record visitor's image automatically when visitor knocks on your door

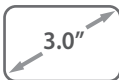
** Motion Sensor and Knocking Sensor are optional accessories!*



Image Recording



Brightness Enhancement



Big Bright LCD



Motion Sensor*



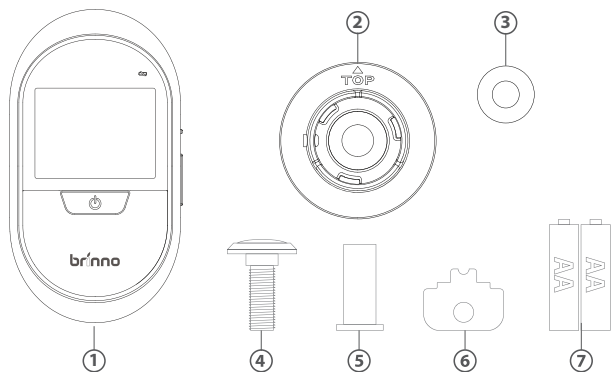
Knocking Sensor*

Thank you for purchasing Brinno's PeepHole Viewer!

If you have any questions or problems setting up your Brinno PeepHole Viewer, please contact the sales staff where you purchased our product or email Brinno Incorporated directly at customerservice@brinno.com

Please Visit our website
www.brinno.com

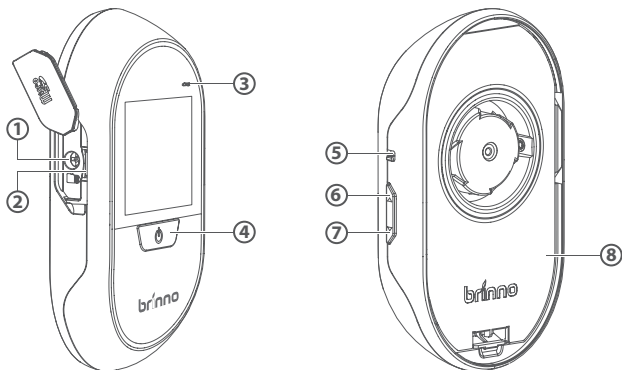
Package Contents



1. PeepHole Viewer
2. Base Flange
3. Washer
4. PeepHole Lens
5. PeepHole Barrel
6. Tightening Tool
7. 2 AA Batteries

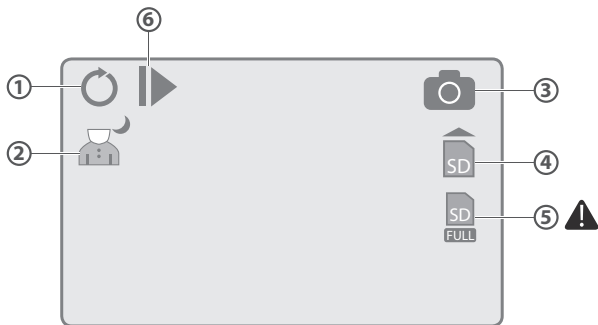
▲ FOR BEST RESULTS PLEASE USE THE PEEPHOLE LENS INCLUDED.

Device Parts



1. Locking Screw
2. Micro SD card slot
3. Low Battery Indicator
4. Power Button
5. Brightness Enhancement
6. Up button/ Time Setting
7. Down button/ Playback
8. Battery Cover

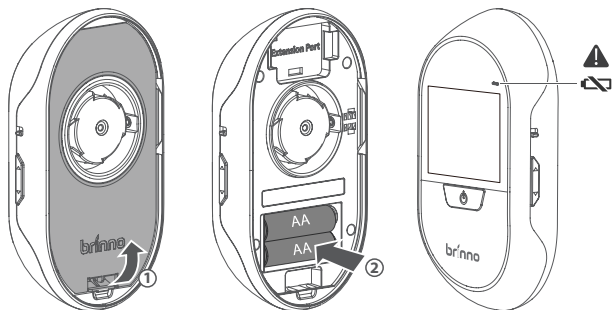
Display Icons



1. Micro SD card scanning in progress
2. Brightness Enhancement mode
3. Image recording
4. No Micro SD card
5. Micro SD card full
6. Playback mode

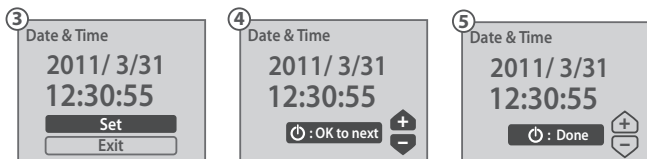
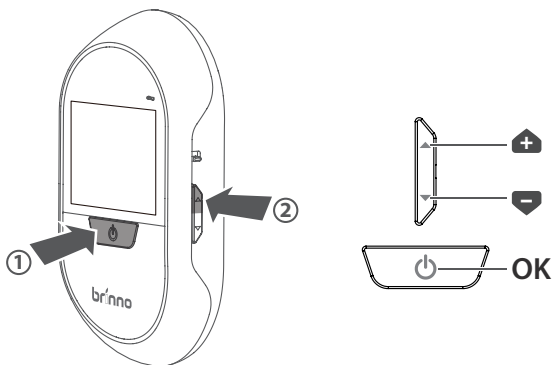
⚠ When this icon is displayed on screen, backup the images to your PC or notebook, otherwise the oldest folder will be erased!

Initial Setup Install Batteries



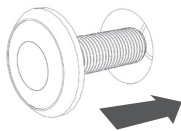
1. Open battery cover
2. Install 2 AA batteries

⚠ IF THE LOW BATTERY INDICATOR FLASHES, PLEASE REPLACE THE BATTERIES.

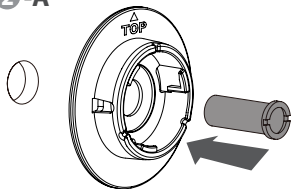


1. Press to turn on the PeepHole Viewer.
2. Press and hold ▲ for 3 seconds.
3. Select "Set" to enter setting mode.
4. Set the date and time.
5. Select "Done".

Installation

1

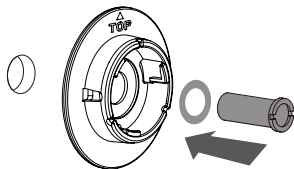
Insert the PeepHole lens to pass through the outer side of the door.

2-A

For 14mm peephole

Insert the PeepHole barrel through the Base Flange and insert both into the hole on the inner side of the door.

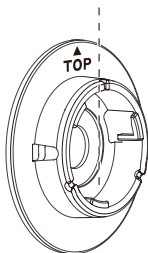
Tighten the PeepHole Barrel with your fingers.

2-B

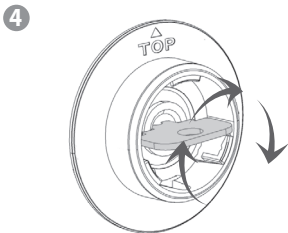
For 12mm peephole

Insert the PeepHole barrel through the Washer and Base Flange and insert both into the hole on the inner side of the door.

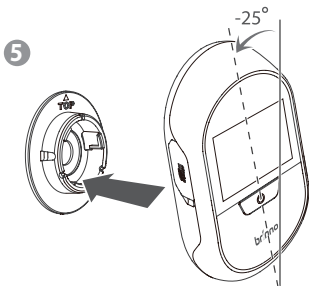
Tighten the PeepHole Barrel with your fingers.

3

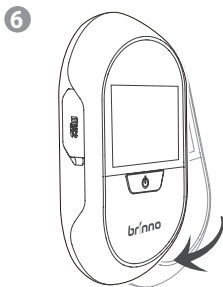
When the barrel is snug, rotate the Base Flange until the TOP icon is at 12 o'clock (vertical).



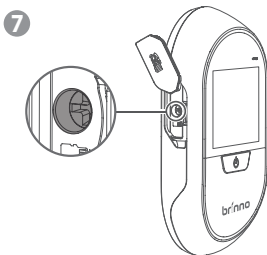
Use the Tightening Tool included to tighten the PeepHole barrel.



Hold the PeepHole Viewer at a -25 degree counter-clockwise position and insert it onto the Base Flange.

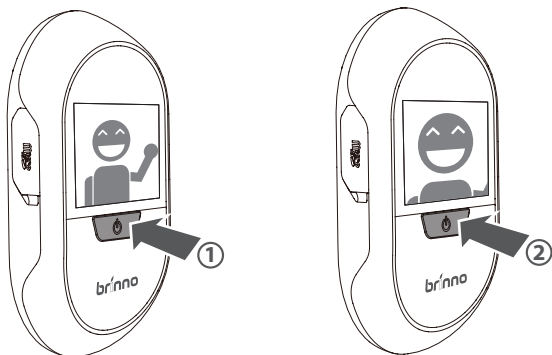


Rotate the PeepHole Viewer clockwise until it locks into place.



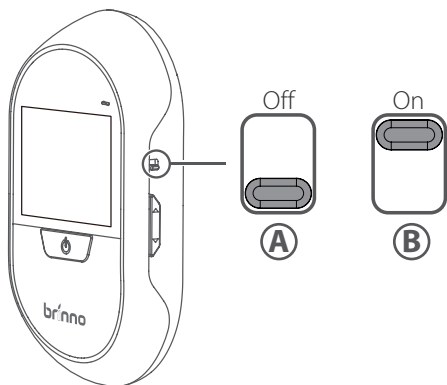
Use the screwdriver to tighten the Locking Screw.

You are now ready to turn the PeepHole Viewer on.



1. Press the power button to see a "Regular" image.
2. Press the power button again to change the viewing mode to see a "Zoomed" image.

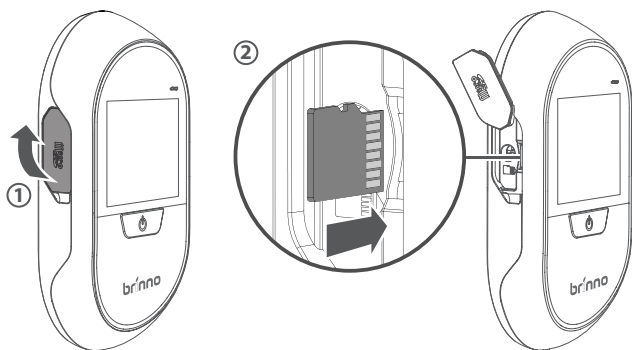
⚠ The LCD display will turn off automatically after 10 seconds to conserve battery power.



When the outdoor environment is too dark to see, turn on the Brightness Enhancement mode to increase image brightness.

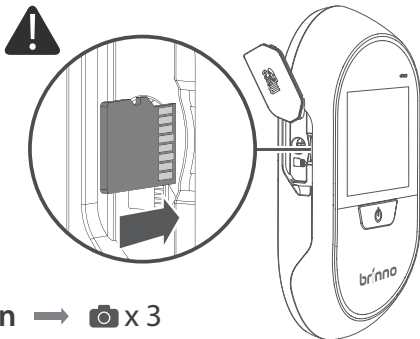
A. Off



B. On



1. Open the rubber cover.
2. Insert the Micro SD card.

⚠ Micro SD card is not included in the package. The PeepHole Viewer supports up to 32 GB maximum Micro SD card size, recommended size is 8 GB.

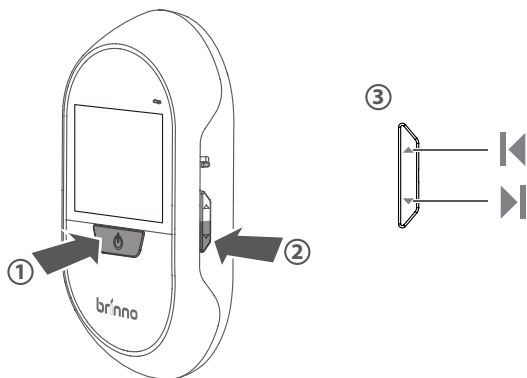


- ①  : On →  x 3
- ②  : Zoom →  x 3
- ③  : Off →  x 3

PeepHole viewer records 3 pictures during the following status:

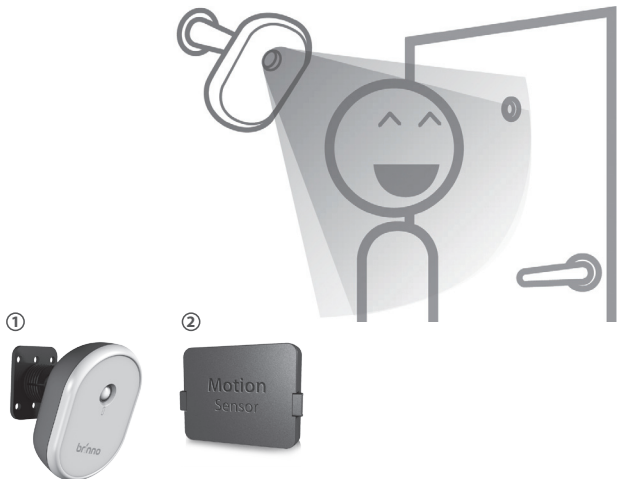
1. Power on
2. Zoom view mode
3. Power off

⚠ This function works when Micro SD card is installed!



1. Turn on PeepHole Viewer.
2. Press ▼ to view images recorded on the memory card.
3. Press ▲ : Previous or ▼ : Next

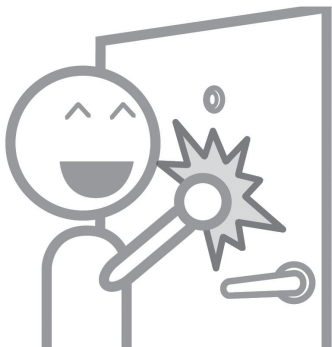
⚠ After 10 seconds of inactivity, the device automatically exits playback mode.



When a Motion Activated Sensor is installed, the PeepHole Viewer records images whenever a person comes close to your door. So even if you are not home, you will know who came to your house.

1. Motion detect sensor
2. Receiver

⚠ Please install a Micro SD card into the PeepHole Viewer before using this accessory.



When a Knocking Sensor is installed, the PeepHole Viewer records images when a person knocks on your door. So even if you are not home, you will know who came to your house.

- ▲ Please install a Micro SD card into the PeepHole Viewer before using this accessory.

Specifications

PHV133012: - PeepHole barrel: 12 mm
- fits any door 35~57 mm (1.38"~2.24") thick.
- View Angle:
Regular Mode: 96° Zoom Mode: 60°

PHV133014: - PeepHole barrel: 14 mm
- fits any door 40~69 mm (1.57"~2.72") thick.
- View Angle:
Regular Mode: 99° Zoom Mode: 60°

Sensor: 1.3 Mega Pixel CMOS

LCD Screen: 3.0" TFT

Storage: Micro SD card (Maxmium is 32 GB, recommend is 8 GB)

Power: 2 AA batteries (good for approx.1300 "peeps")

Accessories: Base Flange, Tightening Tool, PeepHole,
2 AA Batteries, User Manual

Size: 87(W)x 158(H)x 33(D) mm

Weight: 180 g (without batteries)

WEEE Directive & Product Disposal



At the end of its serviceable life, this product should not be treated as household or general waste. It should be handed over to the applicable collection point for the recycling of electrical and electronic equipment, or returned to the supplier for disposal.

 Internal / Supplied Batteries

This symbol on the battery indicates that the battery is to be collected separately.

This battery is designed for separate collection at an appropriate collection point.

brinno
brilliant innovation

brinno
brinno incorporated

7F, No.75, Zhou Zi St., Taipei City 11493, Taiwan
Phone: **886-2-8751-0306** Fax: **886-2-8751-0549**
E-mail: **customerservice@brinno.com**



301-0006-00
EN A3

www.brinno.com